

# ATTENTION ROLLFORMER USERS

**SAVE time ... SAVE labor ... SAVE cleanup**

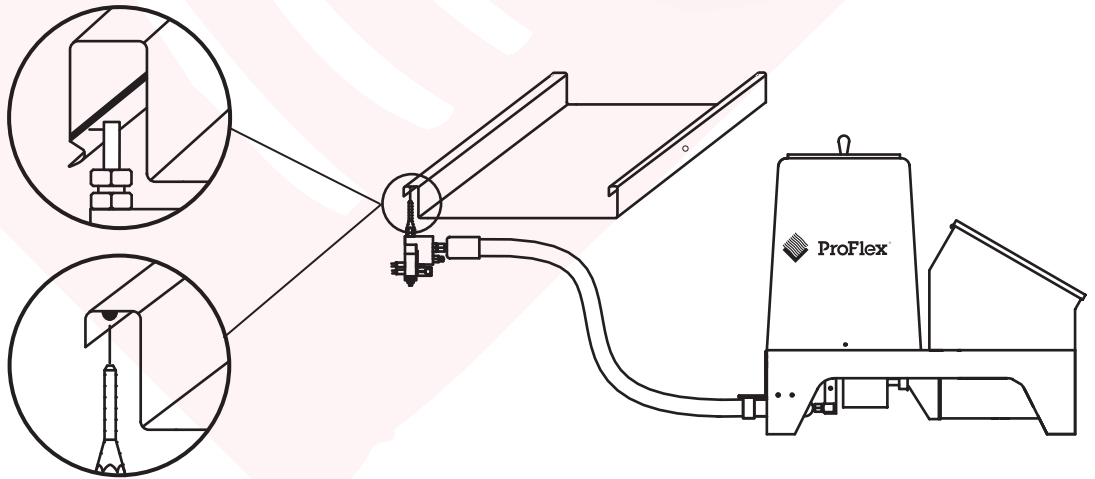
with HMT's Hot Melt Sealant Dispensers for *Inline Rollform Seam Sealing*



- Extended Warranties
- Low Slope Roofing
- Municipal Requirements
- Architectural Specifications



- Snap Lock
- Mechanical Lock
- Soffit Panel



**Hot Melt Technologies, Inc.**

No One Puts It Together Like HMT®

1723 West Hamlin Road • P.O. Box 80067 • Rochester, Michigan 48308  
Tel: 248-853-2011 • Fax: 248-853-6650 • Web: [www.hotmelt-tech.com](http://www.hotmelt-tech.com)

ISO 9001 – INTERNATIONAL QUALITY ASSURANCE STANDARD

Please contact our Corporate Office  
for assistance:

<b>Office</b>	248-853-2011, x.27
<b>Fax</b>	248-853-6650
<b>e-mail</b>	<a href="mailto:dfahlquist@hotmelt-tech.com">dfahlquist@hotmelt-tech.com</a>